

1. Overview

This MCU is built using the high-performance silicon gate CMOS process using a R8C/Tiny Series CPU core and is packaged in a 32-pin plastic molded LQFP. This MCU operates using sophisticated instructions featuring a high level of instruction efficiency. With 1M bytes of address space, it is capable of executing instructions at high speed.

The data flash ROM (2 KB X 2 blocks) is embedded.

1.1 Applications

Electric household appliance, office equipment, housing equipment (sensor, security), general industrial equipment, audio, etc.

1.2 Performance Overview

Table 1.1. lists the performance outline of this MCU.

Table 1.1 Performance outline

	Item	Performance
CPU	Number of basic instructions	89 instructions
	Minimum instruction execution time	50 ns ($f(X_{IN}) = 20$ MHz, $V_{CC} = 3.0$ to 5.5 V) 100 ns ($f(X_{IN}) = 10$ MHz, $V_{CC} = 2.7$ to 5.5 V)
	Operating mode	Single-chip
	Address space	1M bytes
	Memory capacity	See Table 1.2.
Peripheral function	Port	Input/Output: 22 (including LED drive port), Input: 2
	LED drive port	I/O port: 8
	Timer	Timer X: 8 bits x 1 channel, Timer Y: 8 bits x 1 channel, Timer Z: 8 bits x 1 channel (Each timer equipped with 8-bit prescaler) Timer C: 16 bits x 1 channel (Circuits of input capture and output compare)
	Serial interface	•1 channel Clock synchronous, UART •1 channel UART
	A/D converter	10-bit A/D converter: 1 circuit, 12 channels
	Watchdog timer	15 bits x 1 (with prescaler) Reset start function selectable
	Interrupt	Internal: 11 factors, External: 5 factors, Software: 4 factors, Priority level: 7 levels
	Clock generation circuit	2 circuits •Main clock generation circuit (Equipped with a built-in feedback resistor) •On-chip oscillator (high-speed, low-speed) On high-speed on-chip oscillator the frequency adjustment function is usable.
	Oscillation stop detection function	Main clock oscillation stop detection function
	Voltage detection circuit	Included
	Power on reset circuit	Included
Electrical characteristics	Supply voltage	$V_{CC} = 3.0$ to 5.5V ($f(X_{IN}) = 20$ MHz) $V_{CC} = 2.7$ to 5.5V ($f(X_{IN}) = 10$ MHz)
	Power consumption	Typ.9 mA ($V_{CC} = 5.0$ V, ($f(X_{IN}) = 20$ MHz) Typ.5 mA ($V_{CC} = 3.0$ V, ($f(X_{IN}) = 10$ MHz) Typ.35 μ A ($V_{CC} = 3.0$ V, Wait mode, Peripheral clock stops) Typ.0.7 μ A ($V_{CC} = 3.0$ V, Stop mode)
Flash memory	Program/erase supply voltage	$V_{CC} = 2.7$ to 5.5 V
	Program/erase endurance	10,000 times (Data flash) 1,000 times (Program ROM)
Operating ambient temperature		-20 to 85°C -40 to 85°C (D-version)
Package		32-pin plastic mold LQFP

1.3 Block Diagram

Figure 1.1 shows this MCU block diagram.

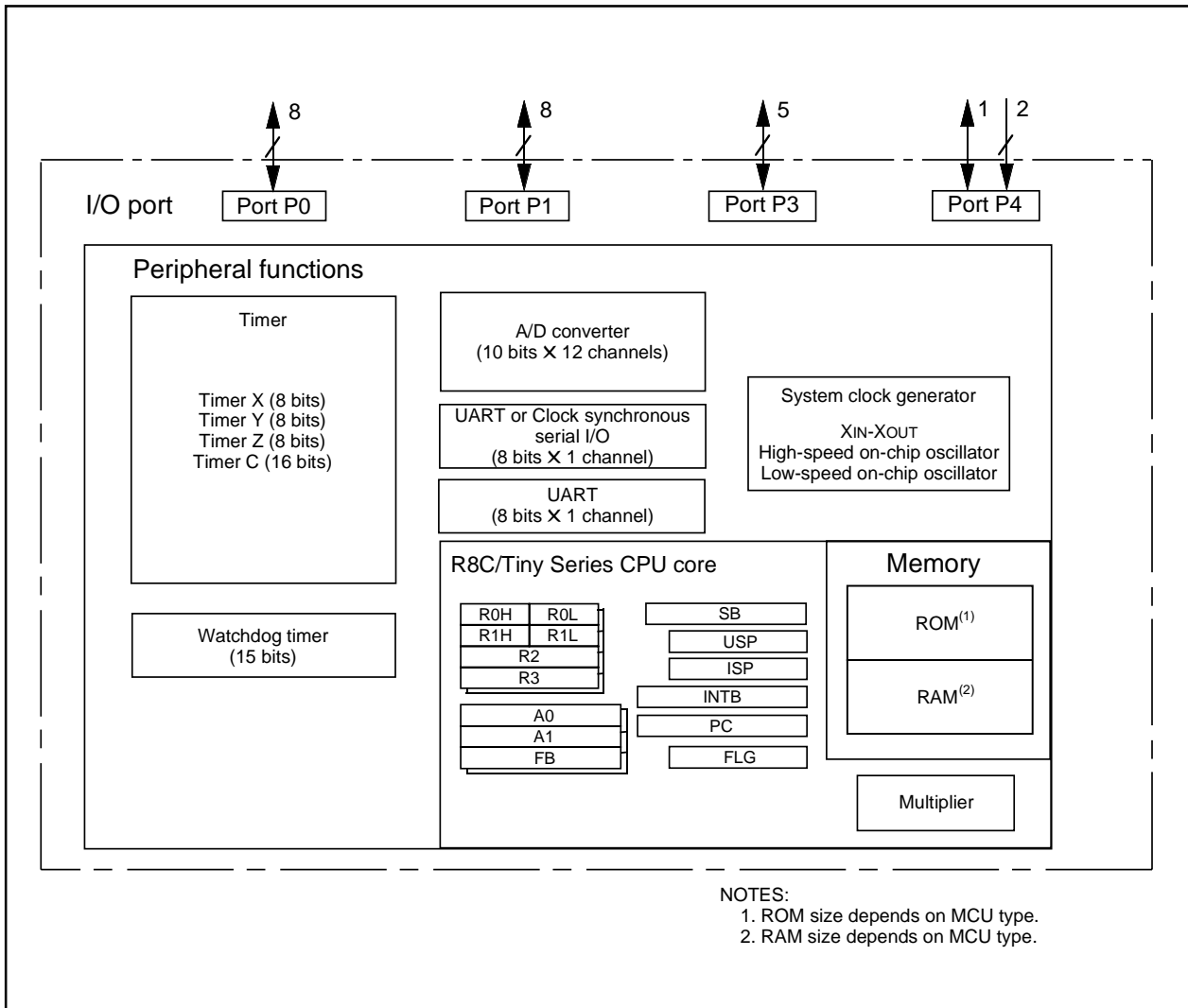


Figure 1.1 Block Diagram

1.4 Product Information

Table 1.2 lists the product information.

Table 1.2 Product Information

As of January 2006

Type No.	ROM capacity		RAM capacity	Package type	Remarks
	Program ROM	Data flash			
R5F21132FP	8K bytes	2K bytes x 2	512 bytes	PLQP0032GB-A	Flash memory version
R5F21133FP	12K bytes	2K bytes x 2	768 bytes	PLQP0032GB-A	
R5F21134FP	16K bytes	2K bytes x 2	1K bytes	PLQP0032GB-A	
R5F21132DFP	8K bytes	2K bytes x 2	512 bytes	PLQP0032GB-A	D version
R5F21133DFP	12K bytes	2K bytes x 2	768 bytes	PLQP0032GB-A	
R5F21134DFP	16K bytes	2K bytes x 2	1K bytes	PLQP0032GB-A	

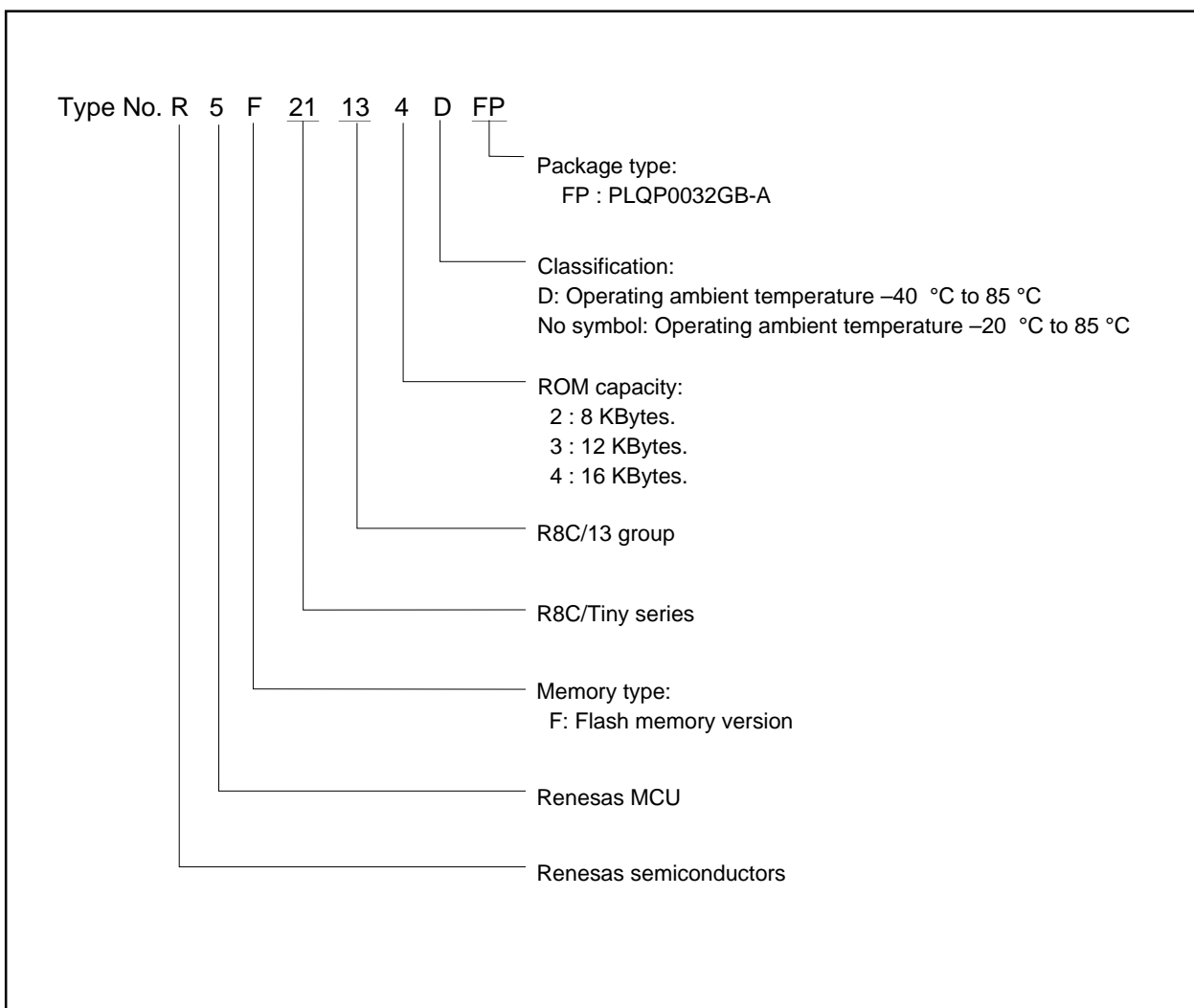


Figure 1.2 Type No., Memory Size, and Package

1.5 Pin Assignments

Figure 1.3 shows the pin configuration (top view).

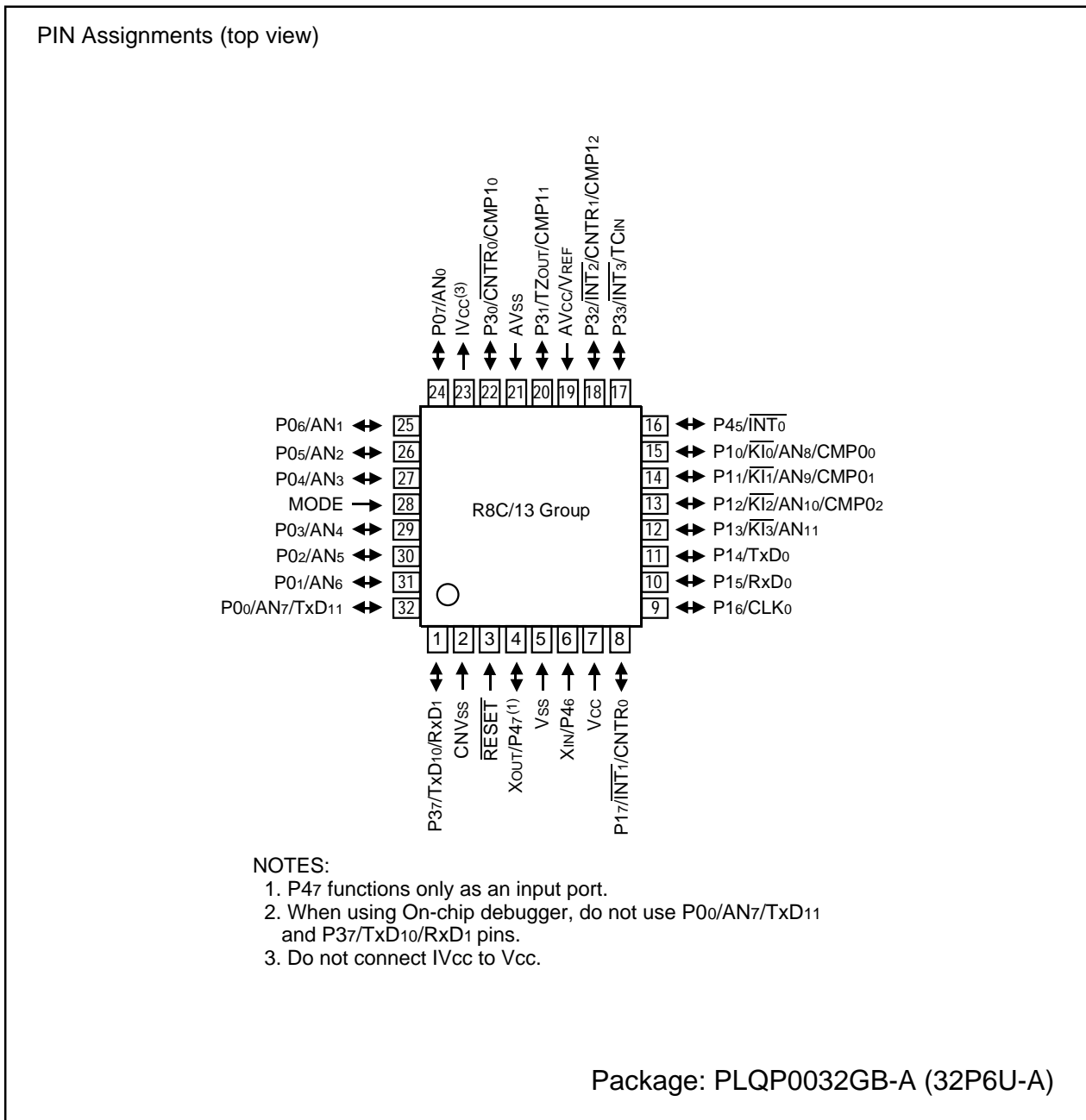


Figure 1.3 Pin Assignments (Top View)

1.6 Pin Description

Table 1.3 shows the pin description

Table 1.3 Pin description

Signal name	Pin name	I/O type	Function
Power supply input	Vcc, Vss	I	Apply 2.7 V to 5.5 V to the Vcc pin. Apply 0 V to the Vss pin.
IVcc	IVcc	O	This pin is to stabilize internal power supply. Connect this pin to Vss via a capacitor (0.1 μ F). Do not connect to Vcc.
Analog power supply input	AVcc, AVss	I	Power supply input pins for A/D converter. Connect the AVcc pin to Vcc. Connect the AVss pin to Vss. Connect a capacitor between pins AVcc and AVss.
Reset input	RESET	I	Input "L" on this pin resets the MCU.
CNVss	CNVss	I	Connect this pin to Vss via a resistor.
MODE	MODE	I	Connect this pin to Vcc via a resistor.
Main clock input	XIN	I	These pins are provided for the main clock generating circuit I/O. Connect a ceramic resonator or a crystal oscillator between the XIN and XOUT pins. To use an externally derived clock, input it to the XIN pin and leave the XOUT pin open.
Main clock output	XOUT	O	
INT interrupt input	INT0 to INT3	I	INT interrupt input pins.
Key input interrupt input	KI0 to KI3	I	Key input interrupt pins.
Timer X	CNTR0	I/O	Timer X I/O pin
	CNTR0	O	Timer X output pin
Timer Y	CNTR1	I/O	Timer Y I/O pin
Timer Z	TZOUT	O	Timer Z output pin
Timer C	TCIN	I	Timer C input pin
	CMP00 to CMP02, CMP10 to CMP12	O	The timer C output pins
Serial interface	CLK0	I/O	Transfer clock I/O pin.
	RxD0, RxD1	I	Serial data input pins.
	TxD0, TxD10, TxD11	O	Serial data output pins.
Reference voltage input	VREF	I	Reference voltage input pin for A/D converter. Connect the VREF pin to Vcc.
A/D converter	AN0 to AN11	I	Analog input pins for A/D converter
I/O port	P00 to P07, P10 to P17, P30 to P33, P37, P45	I/O	These are 8-bit CMOS I/O ports. Each port has an I/O select direction register, allowing each pin in that port to be directed for input or output individually. Any port set to input can select whether to use a pull-up resistor or not by program. P10 to P17 also function as LED drive ports.
Input port	P46, P47	I	Port for input-only

2. Central Processing Unit (CPU)

Figure 2.1 shows the CPU Register. The CPU contains 13 registers. Of these, R0, R1, R2, R3, A0, A1 and FB comprise a register bank. Two sets of register banks are provided.

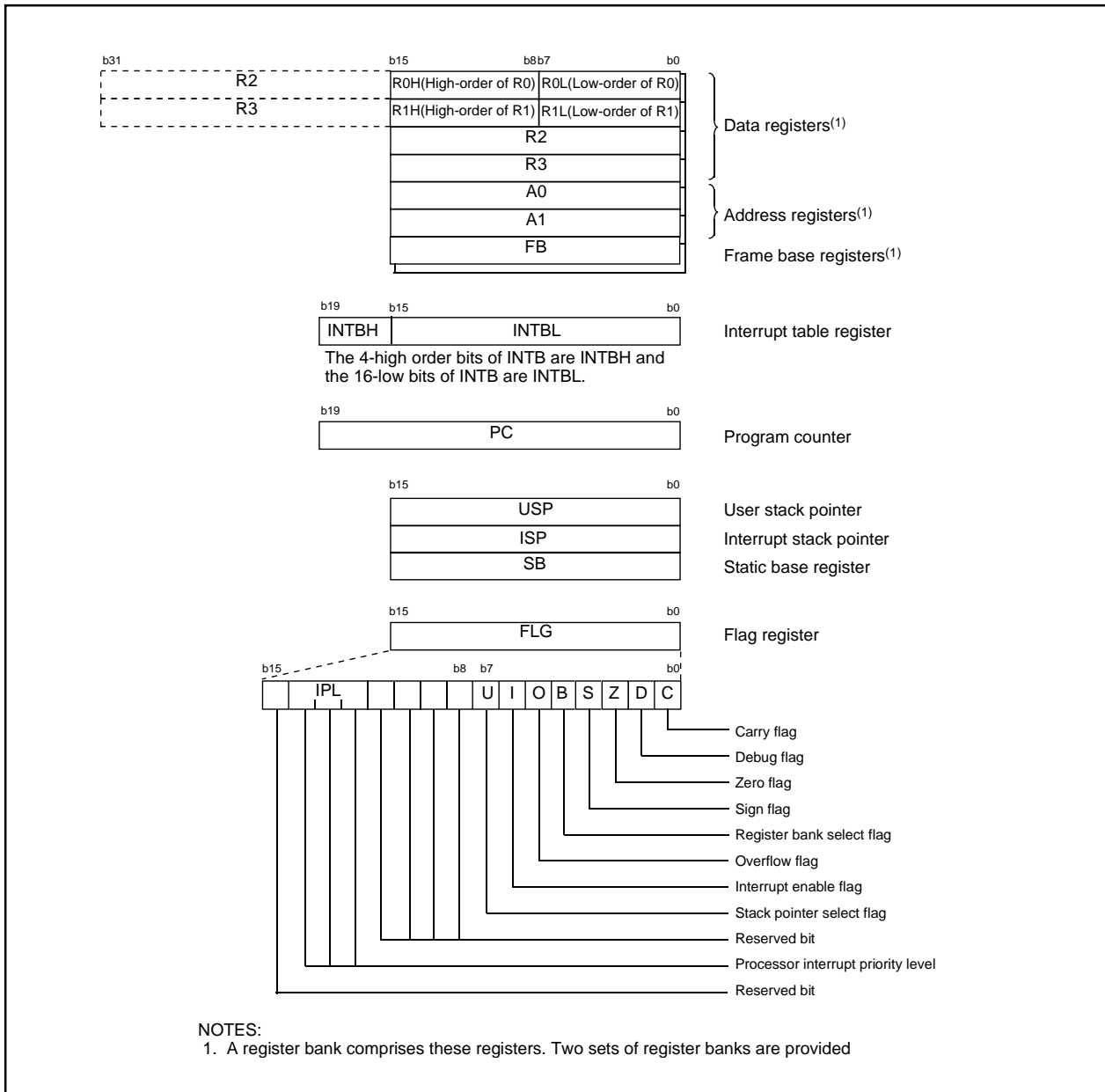


Figure 2.1 CPU Register

2.1 Data Registers (R0, R1, R2 and R3)

R0 is a 16-bit register for transfer, arithmetic and logic operations. The same applies to R1 to R3. The R0 can be split into high-order bit (R0H) and low-order bit (R0L) to be used separately as 8-bit data registers. The same applies to R1H and R1L as R0H and R0L. R2 can be combined with R0 to be used as a 32-bit data register (R2R0). The same applies to R3R1 as R2R0.

2.2 Address Registers (A0 and A1)

A0 is a 16-bit register for address register indirect addressing and address register relative addressing. They also are used for transfer, arithmetic and logic operations. The same applies to A1 as A0. A0 can be combined with A1 to be used as a 32-bit address register (A1A0).

2.3 Frame Base Register (FB)

FB is a 16-bit register for FB relative addressing.

2.4 Interrupt Table Register (INTB)

INTB is a 20-bit register indicates the start address of an interrupt vector table.

2.5 Program Counter (PC)

PC, 20 bits wide, indicates the address of an instruction to be executed.

2.6 User Stack Pointer (USP) and Interrupt Stack Pointer (ISP)

The stack pointer (SP), USP and ISP, are 16 bits wide each.

The U flag of FLG is used to switch between USP and ISP.

2.7 Static Base Register (SB)

SB is a 16-bit register for SB relative addressing.

2.8 Flag Register (FLG)

FLG is a 11-bit register indicating the CPU state.

2.8.1 Carry Flag (C)

The C flag retains a carry, borrow, or shift-out bit that has occurred in the arithmetic logic unit.

2.8.2 Debug Flag (D)

The D flag is for debug only. Set to "0".

2.8.3 Zero Flag (Z)

The Z flag is set to "1" when an arithmetic operation resulted in 0; otherwise, "0".

2.8.4 Sign Flag (S)

The S flag is set to "1" when an arithmetic operation resulted in a negative value; otherwise, "0".

2.8.5 Register Bank Select Flag (B)

The register bank 0 is selected when the B flag is "0". The register bank 1 is selected when this flag is set to "1".

2.8.6 Overflow Flag (O)

The O flag is set to "1" when the operation resulted in an overflow; otherwise, "0".

2.8.7 Interrupt Enable Flag (I)

The I flag enables a maskable interrupt.

An interrupt is disabled when the I flag is set to "0", and are enabled when the I flag is set to "1". The I flag is set to "0" when an interrupt request is acknowledged.

2.8.8 Stack Pointer Select Flag (U)

ISP is selected when the U flag is set to "0", USP is selected when the U flag is set to "1".

The U flag is set to "0" when a hardware interrupt request is acknowledged or the INT instruction of software interrupt numbers 0 to 31 is executed.

2.8.9 Processor Interrupt Priority Level (IPL)

IPL, 3 bits wide, assigns processor interrupt priority levels from level 0 to level 7.

If a requested interrupt has greater priority than IPL, the interrupt is enabled.

2.8.10 Reserved Bit

When write to this bit, set to "0". When read, its content is indeterminate.

3. Memory

Figure 3.1 is a memory map of this MCU. This MCU provides 1-Mbyte address space from addresses 00000₁₆ to FFFFF₁₆.

The internal ROM (program ROM) is allocated lower addresses beginning with address 0FFFF₁₆. For example, a 16-Kbyte internal ROM is allocated addresses from 0C000₁₆ to 0FFFF₁₆.

The fixed interrupt vector table is allocated addresses 0FFDC₁₆ to 0FFFF₁₆. They store the starting address of each interrupt routine.

The internal ROM (data flash) is allocated addresses from 02000₁₆ to 02FFF₁₆.

The internal RAM is allocated higher addresses beginning with address 00400₁₆. For example, a 1-Kbyte internal RAM is allocated addresses 00400₁₆ to 007FF₁₆. The internal RAM is used not only for storing data, but for calling subroutines and stacks when interrupt request is acknowledged.

Special function registers (SFR) are allocated addresses 00000₁₆ to 002FF₁₆. The peripheral function control registers are located there. All addresses, which have nothing allocated within the SFR, are reserved area and cannot be accessed by users.

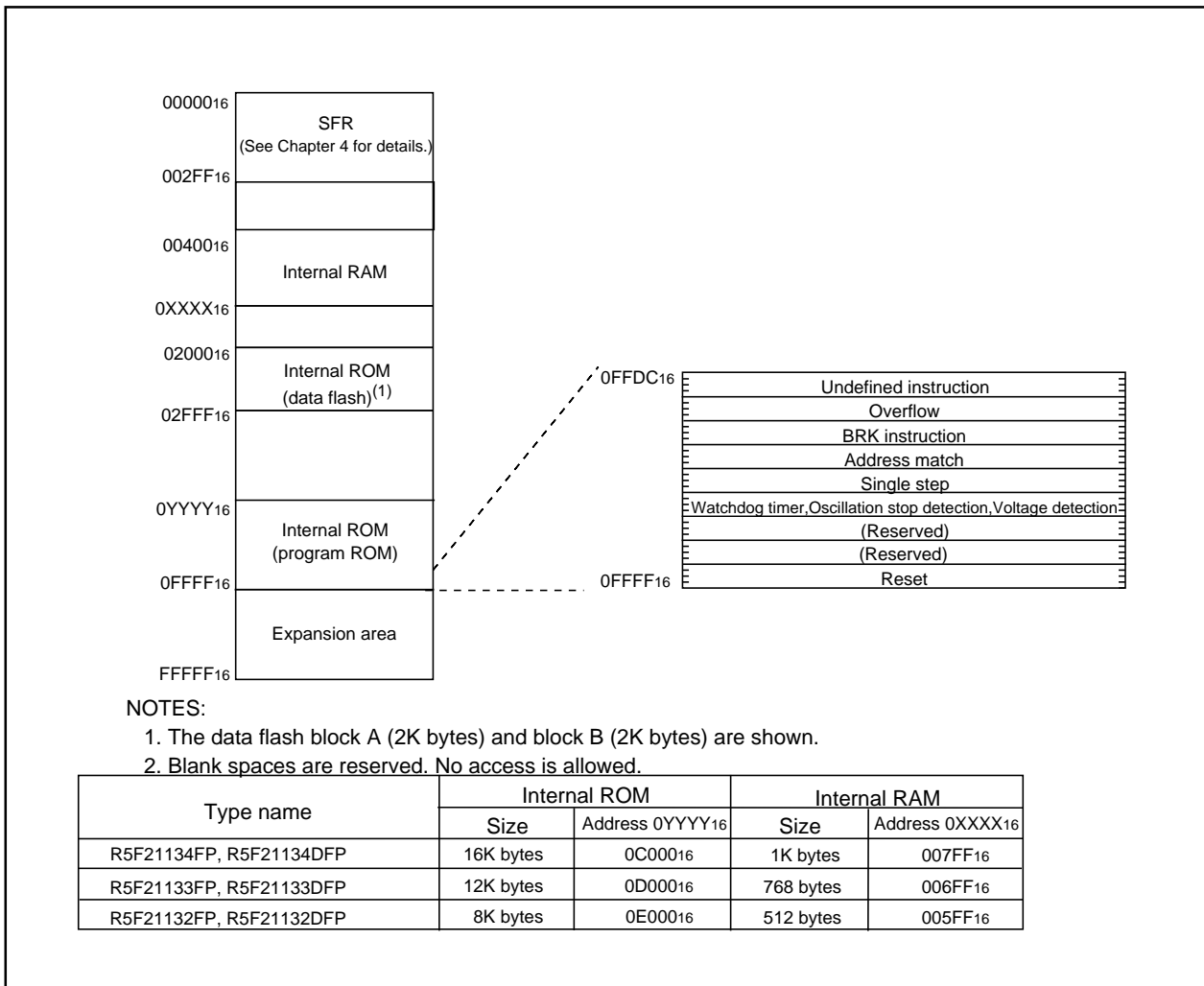


Figure 3.1 Memory Map

4. Special Function Register (SFR)

SFR(Special Function Register) is the control register of peripheral functions. Tables 4.1 to 4.4 list the SFR information

Table 4.1 SFR Information(1)(1)

Address	Register	Symbol	After reset
0000 ₁₆			
0001 ₁₆			
0002 ₁₆			
0003 ₁₆			
0004 ₁₆	Processor mode register 0 ⁽¹⁾	PM0	0016
0005 ₁₆	Processor mode register 1	PM1	0016
0006 ₁₆	System clock control register 0	CM0	011010002
0007 ₁₆	System clock control register 1	CM1	001000002
0008 ₁₆	High-speed on-chip oscillator control register 0	HR0	0016
0009 ₁₆	Address match interrupt enable register	AIER	XXXXXX002
000A ₁₆	Protect register	PRCR	00XXX0002
000B ₁₆	High-speed on-chip oscillator control register 1	HR1	4016
000C ₁₆	Oscillation stop detection register	OCD	000001002
000D ₁₆	Watchdog timer reset register	WDTR	XX16
000E ₁₆	Watchdog timer start register	WDTS	XX16
000F ₁₆	Watchdog timer control register	WDC	000111112
0010 ₁₆	Address match interrupt register 0	RMAD0	0016
0011 ₁₆			0016
0012 ₁₆			X016
0013 ₁₆			
0014 ₁₆	Address match interrupt register 1	RMAD1	0016
0015 ₁₆			0016
0016 ₁₆			X016
0017 ₁₆			
0018 ₁₆			
0019 ₁₆	Voltage detection register 1 ⁽²⁾	VCR1	000010002
001A ₁₆	Voltage detection register 2 ⁽²⁾	VCR2	0016 ⁽³⁾ 10000002 ⁽⁴⁾
001B ₁₆			
001C ₁₆			
001D ₁₆			
001E ₁₆	INT0 input filter select register	INT0F	XXXXX0002
001F ₁₆	Voltage detection interrupt register ⁽²⁾	D4INT	0016 ⁽³⁾ 010000012 ⁽⁴⁾
0020 ₁₆			
0021 ₁₆			
0022 ₁₆			
0023 ₁₆			
0024 ₁₆			
0025 ₁₆			
0026 ₁₆			
0027 ₁₆			
0028 ₁₆			
0029 ₁₆			
002A ₁₆			
002B ₁₆			
002C ₁₆			
002D ₁₆			
002E ₁₆			
002F ₁₆			
0030 ₁₆			
0031 ₁₆			
0032 ₁₆			
0033 ₁₆			
0034 ₁₆			
0035 ₁₆			
0036 ₁₆			
0037 ₁₆			
0038 ₁₆			
0039 ₁₆			
003A ₁₆			
003B ₁₆			
003C ₁₆			
003D ₁₆			
003E ₁₆			
003F ₁₆			

X : Undefined

NOTES:

- Blank spaces are reserved. No access is allowed.
- Software reset or the watchdog timer reset does not affect this register.
- Owing to Reset input.
- In the case of RESET pin = H retaining.

Table 4.2 SFR Information(2)⁽¹⁾

Address	Register	Symbol	After reset
0040 ₁₆			
0041 ₁₆			
0042 ₁₆			
0043 ₁₆			
0044 ₁₆			
0045 ₁₆			
0046 ₁₆			
0047 ₁₆			
0048 ₁₆			
0049 ₁₆			
004A ₁₆			
004B ₁₆			
004C ₁₆			
004D ₁₆	Key input interrupt control register	KUPIC	XXXXX0002
004E ₁₆	AD conversion interrupt control register	ADIC	XXXXX0002
004F ₁₆			
0050 ₁₆	Compare 1 interrupt control register	CMP1IC	XXXXX0002
0051 ₁₆	UART0 transmit interrupt control register	S0TIC	XXXXX0002
0052 ₁₆	UART0 receive interrupt control register	S0RIC	XXXXX0002
0053 ₁₆	UART1 transmit interrupt control register	S1TIC	XXXXX0002
0054 ₁₆	UART1 receive interrupt control register	S1RIC	XXXXX0002
0055 ₁₆	INT2 interrupt control register	INT2IC	XXXXX0002
0056 ₁₆	Timer X interrupt control register	TXIC	XXXXX0002
0057 ₁₆	Timer Y interrupt control register	TYIC	XXXXX0002
0058 ₁₆	Timer Z interrupt control register	TZIC	XXXXX0002
0059 ₁₆	INT1 interrupt control register	INT1IC	XXXXX0002
005A ₁₆	INT3 interrupt control register	INT3IC	XXXXX0002
005B ₁₆	Timer C interrupt control register	TCIC	XXXXX0002
005C ₁₆	Compare 0 interrupt control register	CMP0IC	XXXXX0002
005D ₁₆	INT0 interrupt control register	INT0IC	XX00X0002
005E ₁₆			
005F ₁₆			
0060 ₁₆			
0061 ₁₆			
0062 ₁₆			
0063 ₁₆			
0064 ₁₆			
0065 ₁₆			
0066 ₁₆			
0067 ₁₆			
0068 ₁₆			
0069 ₁₆			
006A ₁₆			
006B ₁₆			
006C ₁₆			
006D ₁₆			
006E ₁₆			
006F ₁₆			
0070 ₁₆			
0071 ₁₆			
0072 ₁₆			
0073 ₁₆			
0074 ₁₆			
0075 ₁₆			
0076 ₁₆			
0077 ₁₆			
0078 ₁₆			
0079 ₁₆			
007A ₁₆			
007B ₁₆			
007C ₁₆			
007D ₁₆			
007E ₁₆			
007F ₁₆			

X : Undefined

NOTES:

1. Blank spaces are reserved. No access is allowed.

Table 4.3 SFR Information(3)⁽¹⁾

Address	Register	Symbol	After reset
0080 ₁₆	Timer Y, Z mode register	TYZMR	00 ₁₆
0081 ₁₆	Prescaler Y register	PREY	FF ₁₆
0082 ₁₆	Timer Y secondary register	TYSC	FF ₁₆
0083 ₁₆	Timer Y primary register	TYPR	FF ₁₆
0084 ₁₆	Timer Y, Z waveform output control register	PUM	00 ₁₆
0085 ₁₆	Prescaler Z register	PREZ	FF ₁₆
0086 ₁₆	Timer Z secondary register	TZSC	FF ₁₆
0087 ₁₆	Timer Z primary register	TZPR	FF ₁₆
0088 ₁₆			
0089 ₁₆			
008A ₁₆	Timer Y, Z output control register	TYZOC	00 ₁₆
008B ₁₆	Timer X mode register	TXMR	00 ₁₆
008C ₁₆	Prescaler X register	PREX	FF ₁₆
008D ₁₆	Timer X register	TX	FF ₁₆
008E ₁₆	Count source set register	TCSS	00 ₁₆
008F ₁₆			
0090 ₁₆	Timer C register	TC	00 ₁₆
0091 ₁₆			00 ₁₆
0092 ₁₆			
0093 ₁₆			
0094 ₁₆			
0095 ₁₆			
0096 ₁₆	External input enable register	INTEN	00 ₁₆
0097 ₁₆			
0098 ₁₆	Key input enable register	KIEN	00 ₁₆
0099 ₁₆			
009A ₁₆	Timer C control register 0	TCC0	00 ₁₆
009B ₁₆	Timer C control register 1	TCC1	00 ₁₆
009C ₁₆	Capture, compare 0 register	TM0	00 ₁₆
009D ₁₆			00 ₁₆ ⁽²⁾
009E ₁₆	Compare 1 register	TM1	FF ₁₆
009F ₁₆			FF ₁₆
00A0 ₁₆	UART0 transmit/receive mode register	U0MR	00 ₁₆
00A1 ₁₆	UART0 bit rate register	U0BRG	XX ₁₆
00A2 ₁₆	UART0 transmit buffer register	U0TB	XX ₁₆
00A3 ₁₆			XX ₁₆
00A4 ₁₆	UART0 transmit/receive control register 0	U0C0	00001000 ₂
00A5 ₁₆	UART0 transmit/receive control register 1	U0C1	00000010 ₂
00A6 ₁₆	UART0 receive buffer register	U0RB	XX ₁₆
00A7 ₁₆			XX ₁₆
00A8 ₁₆	UART1 transmit/receive mode register	U1MR	00 ₁₆
00A9 ₁₆	UART1 bit rate register	U1BRG	XX ₁₆
00AA ₁₆	UART1 transmit buffer register	U1TB	XX ₁₆
00AB ₁₆			XX ₁₆
00AC ₁₆	UART1 transmit/receive control register 0	U1C0	00001000 ₂
00AD ₁₆	UART1 transmit/receive control register 1	U1C1	00000010 ₂
00AE ₁₆	UART1 receive buffer register	U1RB	XX ₁₆
00AF ₁₆			XX ₁₆
00B0 ₁₆	UART transmit/receive control register 2	UCON	00 ₁₆
00B1 ₁₆			
00B2 ₁₆			
00B3 ₁₆			
00B4 ₁₆			
00B5 ₁₆			
00B6 ₁₆			
00B7 ₁₆			
00B8 ₁₆			
00B9 ₁₆			
00BA ₁₆			
00BB ₁₆			
00BC ₁₆			
00BD ₁₆			
00BE ₁₆			
00BF ₁₆			

X : Undefined

NOTES:

1. Blank spaces are reserved. No access is allowed.

2. When output compare mode (the TCC13 bit in the TCC1 register = 1) is selected, the value after reset is set to "FFFF₁₆".

Table 4.4 SFR Information(4)(1)

Address	Register	Symbol	After reset
00C0 ₁₆ 00C1 ₁₆	AD register	AD	XX ₁₆ XX ₁₆
00C2 ₁₆			
00C3 ₁₆			
00C4 ₁₆			
00C5 ₁₆			
00C6 ₁₆			
00C7 ₁₆			
00C8 ₁₆			
00C9 ₁₆			
00CA ₁₆			
00CB ₁₆			
00CC ₁₆			
00CD ₁₆			
00CE ₁₆			
00CF ₁₆			
00D0 ₁₆			
00D1 ₁₆			
00D2 ₁₆			
00D3 ₁₆			
00D4 ₁₆	AD control register 2	ADCON2	00 ₁₆
00D5 ₁₆			
00D6 ₁₆	AD control register 0	ADCON0	00000XXX ₂
00D7 ₁₆	AD control register 1	ADCON1	00 ₁₆
00D8 ₁₆			
00D9 ₁₆			
00DA ₁₆			
00DB ₁₆			
00DC ₁₆			
00DD ₁₆			
00DE ₁₆			
00DF ₁₆			
00E0 ₁₆	Port P0 register	P0	XX ₁₆
00E1 ₁₆	Port P1 register	P1	XX ₁₆
00E2 ₁₆	Port P0 direction register	PD0	00 ₁₆
00E3 ₁₆	Port P1 direction register	PD1	00 ₁₆
00E4 ₁₆			
00E5 ₁₆	Port P3 register	P3	XX ₁₆
00E6 ₁₆			
00E7 ₁₆	Port P3 direction register	PD3	00 ₁₆
00E8 ₁₆	Port P4 register	P4	XX ₁₆
00E9 ₁₆			
00EA ₁₆	Port P4 direction register	PD4	00 ₁₆
00EB ₁₆			
00EC ₁₆			
00ED ₁₆			
00EE ₁₆			
00EF ₁₆			
00F0 ₁₆			
00F1 ₁₆			
00F2 ₁₆			
00F3 ₁₆			
00F4 ₁₆			
00F5 ₁₆			
00F6 ₁₆			
00F7 ₁₆			
00F8 ₁₆			
00F9 ₁₆			
03FA ₁₆			
00FB ₁₆			
00FC ₁₆	Pull-up control register 0	PUR0	00XX0000 ₂
00FD ₁₆	Pull-up control register 1	PUR1	XXXXXX0X ₂
00FE ₁₆	Port P1 drive capacity control register	DRR	00 ₁₆
00FF ₁₆	Timer C output control register	TCOUT	00 ₁₆
01B3 ₁₆	Flash memory control register 4	FMR4	01000000 ₂
01B4 ₁₆			
01B5 ₁₆	Flash memory control register 1	FMR1	1000000X ₂
01B6 ₁₆			
01B7 ₁₆	Flash memory control register 0	FMR0	00000012
0FFF ₁₆	Option function select register ⁽²⁾	OFS	(Note 2)

X : Undefined

NOTES:

- Blank columns, 0100₁₆ to 01B2₁₆ and 01B8₁₆ to 02FF₁₆ are all reserved. No access is allowed.
- The watchdog timer control bit is assigned. Refer to "Figure11.2 OFS, WDC, WDTR and WDTS registers" of Hardware Manual for details

5. Electrical Characteristics

Table 5.1 Absolute Maximum Ratings

Symbol	Parameter	Condition	Rated value	Unit
V _{CC}	Supply voltage	V _{CC} =AV _{CC}	-0.3 to 6.5	V
AV _{CC}	Analog supply voltage	V _{CC} =AV _{CC}	-0.3 to 6.5	V
V _I	Input voltage		-0.3 to V _{CC} +0.3	V
V _O	Output voltage		-0.3 to V _{CC} +0.3	V
P _d	Power dissipation	T _{opr} =25 °C	300	mW
T _{opr}	Operating ambient temperature		-20 to 85 / -40 to 85 (D version)	°C
T _{stg}	Storage temperature		-65 to 150	°C

Table 5.2 Recommended Operating Conditions

Symbol	Parameter	Conditions	Standard			Unit	
			Min.	Typ.	Max.		
V _{CC}	Supply voltage		2.7	—	5.5	V	
AV _{CC}	Analog supply voltage		—	V _{CC} (3)	—	V	
V _{SS}	Supply voltage		—	0	—	V	
AV _{SS}	Analog supply voltage		—	0	—	V	
V _{IH}	"H" input voltage		0.8V _{CC}	—	V _{CC}	V	
V _{IL}	"L" input voltage		0	—	0.2V _{CC}	V	
I _{OH} (sum)	"H" peak all output currents	Sum of all pins' IOH (peak)	—	—	-60.0	mA	
I _{OH} (peak)	"H" peak output current		—	—	-10.0	mA	
I _{OH} (avg)	"H" average output current		—	—	-5.0	mA	
I _{OL} (sum)	"L" peak all output currents	Sum of all pins' IOL (peak)	—	—	60	mA	
I _{OL} (peak)	"L" peak output current	Except P10 to P17	—	—	10	mA	
		P10 to P17	Drive ability HIGH	—	—	30	mA
			Drive ability LOW	—	—	10	mA
I _{OL} (avg)	"L" average output current	Except P10 to P17	—	—	5	mA	
		P10 to P17	Drive ability HIGH	—	—	15	mA
			Drive ability LOW	—	—	5	mA
f (XIN)	Main clock input oscillation frequency	3.0V ≤ V _{CC} ≤ 5.5V	0	—	20	MHz	
		2.7V ≤ V _{CC} < 3.0V	0	—	10	MHz	

NOTES:

1. V_{CC} = AV_{CC} = 2.7 to 5.5V at T_{opr} = -20 to 85 °C / -40 to 85 °C, unless otherwise specified.
2. The typical values when average output current is 100ms.
3. Hold V_{CC}=AV_{CC}.

Table 5.3 A/D Conversion Characteristics

Symbol	Parameter		Measuring condition	Standard			Unit
				Min.	Typ.	Max.	
—	Resolution		$V_{ref} = V_{CC}$	—	—	10	Bit
—	Absolute accuracy	10 bit mode	$\phi_{AD} = 10 \text{ MHz}$, $V_{ref} = V_{CC} = 5.0 \text{ V}$	—	—	± 3	LSB
		8 bit mode	$\phi_{AD} = 10 \text{ MHz}$, $V_{ref} = V_{CC} = 5.0 \text{ V}$	—	—	± 2	LSB
		10 bit mode	$\phi_{AD} = 10 \text{ MHz}$, $V_{ref} = V_{CC} = 3.3 \text{ V}^{(3)}$	—	—	± 5	LSB
		8 bit mode	$\phi_{AD} = 10 \text{ MHz}$, $V_{ref} = V_{CC} = 3.3 \text{ V}^{(3)}$	—	—	± 2	LSB
R_{LADDER}	Ladder resistance		$V_{REF} = V_{CC}$	10	—	40	$k\Omega$
t_{CONV}	Conversion time	10 bit mode	$\phi_{AD} = 10 \text{ MHz}$, $V_{ref} = V_{CC} = 5.0 \text{ V}$	3.3	—	—	μs
		8 bit mode	$\phi_{AD} = 10 \text{ MHz}$, $V_{ref} = V_{CC} = 5.0 \text{ V}$	2.8	—	—	μs
V_{REF}	Reference voltage			—	$V_{CC}^{(4)}$	—	V
V_{IA}	Analog input voltage			0	—	V_{ref}	V
—	A/D operating clock frequency ⁽²⁾	Without sample & hold		0.25	—	10	MHz
		With sample & hold		1.0	—	10	MHz

NOTES:

1. $V_{CC} = AV_{CC} = 2.7$ to 5.5 V at $T_{opr} = -20$ to $85 \text{ }^\circ\text{C}$ / -40 to $85 \text{ }^\circ\text{C}$, unless otherwise specified.
2. If f_{AD} exceeds 10 MHz more, divide the f_{AD} and hold A/D operating clock frequency (ϕ_{AD}) 10 MHz or below.
3. If the AV_{CC} is less than 4.2V, divide the f_{AD} and hold A/D operating clock frequency (ϕ_{AD}) $f_{AD}/2$ or below.
4. Hold $V_{CC} = V_{ref}$.

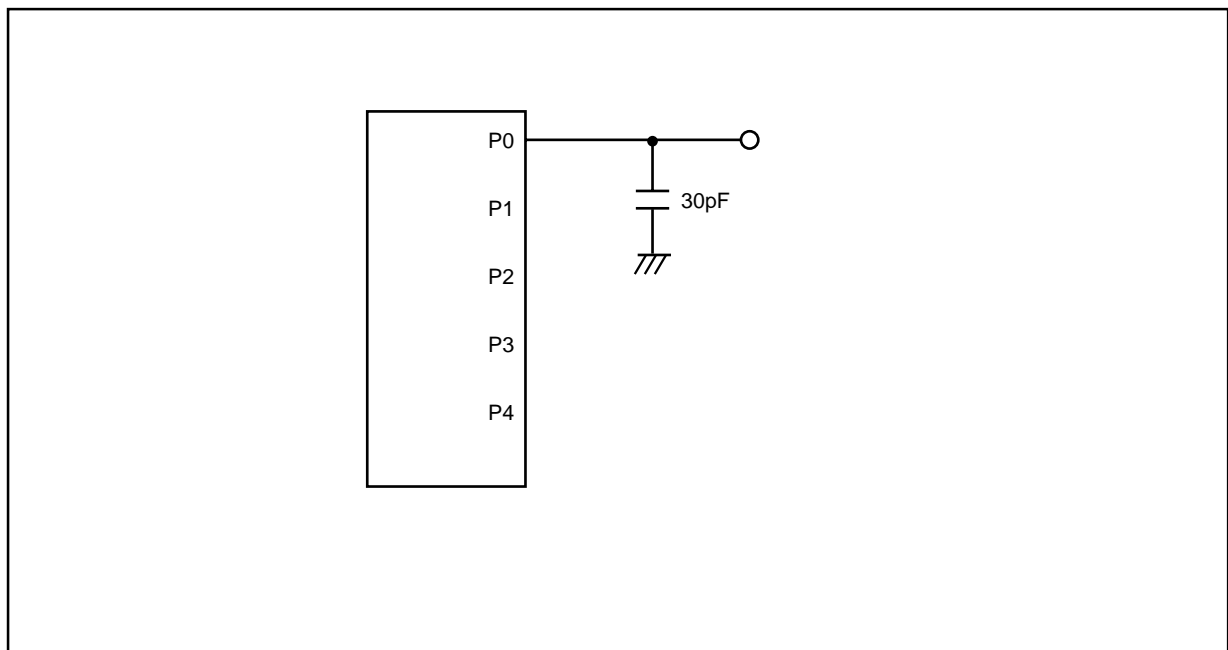
**Figure 5.1 Port P0 to P4 measurement circuit**

Table 5.4 Flash Memory (Program ROM) Electrical Characteristics

Symbol	Parameter	Measuring condition	Standard			Unit
			Min.	Typ.	Max	
—	Program/Erase endurance ⁽²⁾		1000 ⁽³⁾	—	—	times
—	Byte program time		—	50	—	μs
—	Block erase time		—	0.4	—	s
t _d (SR-ES)	Time delay from Suspend Request until Erase Suspend		—	—	8	ms
—	Erase Suspend Request Interval		10	—	—	ms
—	Program, Erase Voltage		2.7	—	5.5	V
—	Read Voltage		2.7	—	5.5	V
—	Program, Erase Temperature		0	—	60	°C
—	Data hold time ⁽⁷⁾	Ambient temperature = 55 °C	20	—	—	year

NOTES:

1. Referenced to V_{CC}=A_Vcc=2.7 to 5.5V at Topr = 0°C to 60°C unless otherwise specified.
2. Definition of Program/Erase
The endurance of Program/Erase shows a time for each block.
If the program/erase number is “n” (n = 1000, 10000), “n” times erase can be performed for each block.
For example, if performing one-byte write to the distinct addresses on Block A of 2K-byte block 2048 times and then erasing that block, the number of Program/Erase cycles is one time.
However, performing multiple writes to the same address before an erase operation is prohibited (overwriting prohibited).
3. Numbers of Program/Erase cycles for which all electrical characteristics is guaranteed.
4. To reduce the number of Program/Erase cycles, a block erase should ideally be performed after writing in series as many distinct addresses (only one time each) as possible. If programming a set of 16 bytes, write up to 128 sets and then erase them one time. This will result in ideally reducing the number of Program/Erase cycles. Additionally, averaging the number of Program/Erase cycles for Block A and B will be more effective. It is important to track the total number of block erases and restrict the number.
5. If error occurs during block erase, attempt to execute the clear status register command, then the block erase command at least three times until the erase error disappears.
6. Customers desiring Program/Erase failure rate information should contact their Renesas technical support representative.
7. The data hold time includes time that the power supply is off or the clock is not supplied.

Table 5.5 Flash Memory (Data flash Block A, Block B) Electrical Characteristics⁽⁴⁾

Symbol	Parameter	Measuring condition	Standard			Unit
			Min.	Typ.	Max	
—	Program/Erase endurance ⁽²⁾		10000 ⁽³⁾	—	—	times
—	Byte program time(program/erase endurance ≤1000 times)		—	50	400	μs
—	Byte program time(program/erase endurance >1000 times)		—	65	—	μs
—	Block erase time(program/erase endurance ≤1000 times)		—	0.2	9	s
—	Block erase time(program/erase endurance >1000 times)		—	0.3	—	s
t _d (SR-ES)	Time delay from Suspend Request until Erase Suspend		—	—	8	ms
—	Erase Suspend Request Interval		10	—	—	ms
—	Program, Erase Voltage		2.7	—	5.5	V
—	Read Voltage		2.7	—	5.5	V
—	Program/Erase Temperature		-20(-40) ⁽⁸⁾	—	85	°C
—	Data hold time ⁽⁹⁾	Ambient temperature = 55 °C	20	—	—	year

NOTES:

1. Referenced to V_{cc}=AV_{cc}=2.7 to 5.5V at Topr = -20°C to 85°C / -40°C to 85°C unless otherwise specified.
2. Definition of Program/Erase
The endurance of Program/Erase shows a time for each block.
If the program/erase number is “n” (n = 1000, 10000), “n” times erase can be performed for each block.
For example, if performing one-byte write to the distinct addresses on Block A of 2K-byte block 2048 times and then erasing that block, the number of Program/Erase cycles is one time.
However, performing multiple writes to the same address before an erase operation is prohibited (overwriting prohibited).
3. Numbers of Program/Erase cycles for which all electrical characteristics is guaranteed.
4. Table 5.5 applies for Block A or B when the Program/Erase cycles are more than 1000. The byte program time up to 1000 cycles are the same as that of the program area (see Table 5.4).
5. To reduce the number of Program/Erase cycles, a block erase should ideally be performed after writing in series as many distinct addresses (only one time each) as possible. If programming a set of 16 bytes, write up to 128 sets and then erase them one time. This will result in ideally reducing the number of Program/Erase cycles. Additionally, averaging the number of Program/Erase cycles for Block A and B will be more effective. It is important to track the total number of block erases and restrict the number.
6. If error occurs during block erase, attempt to execute the clear status register command, then the block erase command at least three times until the erase error disappears.
7. Customers desiring Program/Erase failure rate information should contact their Renesas technical support representative.
8. -40 °C for D version.
9. The data hold time includes time that the power supply is off or the clock is not supplied.

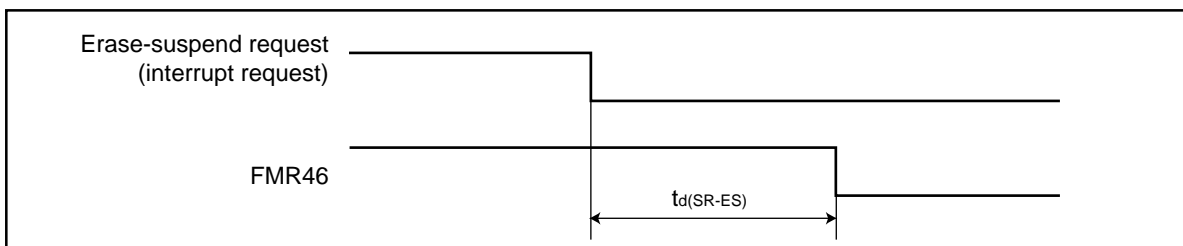
**Figure 5.2 Time delay from Suspend Request until Erase Suspend**

Table 5.6 Voltage Detection Circuit Electrical Characteristics

Symbol	Parameter	Measuring condition	Standard			Unit
			Min.	Typ.	Max.	
Vdet	Voltage detection level		3.3	3.8	4.3	V
	Voltage detection interrupt request generating time ⁽²⁾			40		μs
	Voltage detection circuit self consumption current	VC27=1, VCC=5.0V		600		nA
td(E-A)	Waiting time until voltage detection circuit operation starts ⁽³⁾				20	μs
Vccmin	Microcomputer operation voltage minimum value		2.7			V

NOTES:

1. The measuring condition is Vcc=AVcc=2.7V to 5.5V and Topr=-40°C to 85°C.
2. This shows the time until the voltage detection interrupt request is generated since the voltage passes Vdet.
3. This shows the required time until the voltage detection circuit operates when setting to "1" again after setting the VC27 bit in the VCR2 register to "0".

Table 5.7 Reset Circuit Electrical Characteristics (When Using Hardware Reset 2^(1, 3))

Symbol	Parameter	Measuring condition	Standard			Unit
			Min.	Typ.	Max.	
Vpor2	Power-on reset valid voltage	-20°C ≤ Topr < 85°C	—	—	Vdet	V
tw(Vpor2-Vdet)	Supply voltage rising time when power-on reset is canceled ⁽²⁾	-20°C ≤ Topr < 85°C, tw(por2) ≥ 0s ⁽⁴⁾	—	—	100	ms

NOTES:

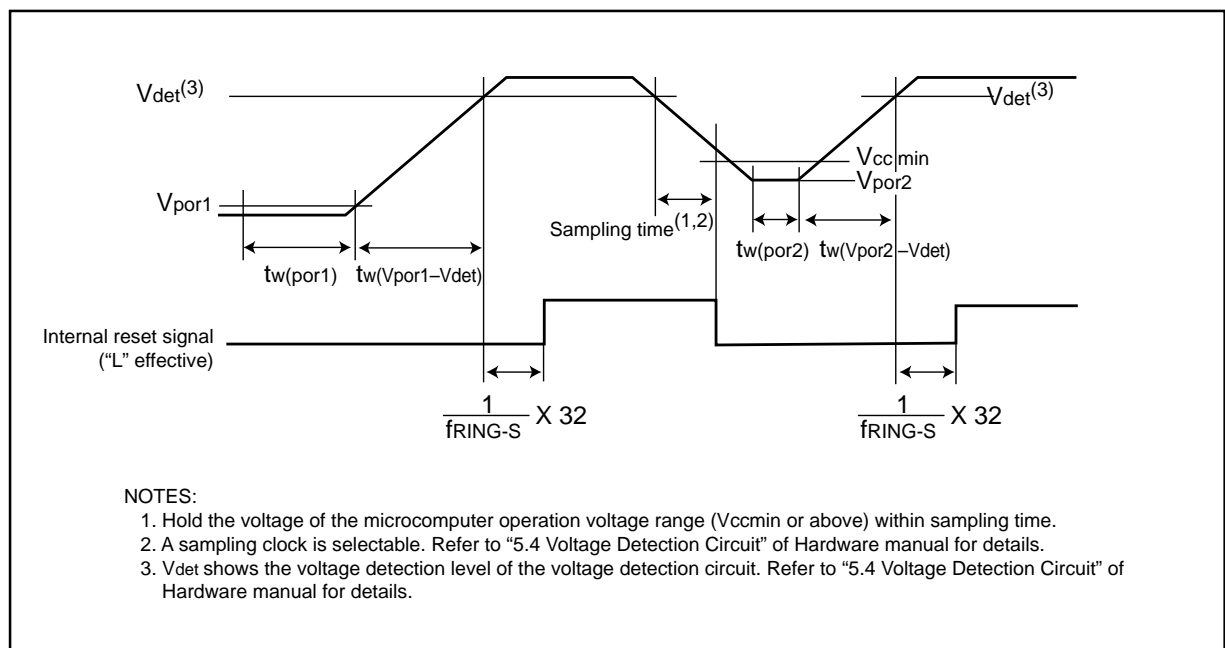
1. The voltage detection circuit which is embedded in a microcomputer is a factor to generate the hardware reset 2. Refer to 5.1.2 Hardware Reset 2 of Hardware Manual for details.
2. This condition is not applicable when using VCC ≥ 1.0V.
3. When turning power on after the external power has been held below the valid voltage (Vpor1) for greater than 10 seconds, refer to Table 5.8 Reset Circuit Electrical Characteristics (When Not Using Hardware Reset 2).
4. tw(por2) is time to hold the external power below effective voltage (Vpor2).

Table 5.8 Reset Circuit Electrical Characteristics (When Not Using Hardware Reset 2)

Symbol	Parameter	Measuring condition	Standard			Unit
			Min.	Typ.	Max.	
Vpor1	Power-on reset valid voltage	-20°C ≤ Topr < 85°C	—	—	0.1	V
tw(Vpor1-Vdet)	Supply voltage rising time when power-on reset is canceled	0°C ≤ Topr ≤ 85°C, tw(por1) ≥ 10s ⁽²⁾	—	—	100	ms
tw(Vpor1-Vdet)	Supply voltage rising time when power-on reset is canceled	-20°C ≤ Topr < 0°C, tw(por1) ≥ 30s ⁽²⁾	—	—	100	ms
tw(Vpor1-Vdet)	Supply voltage rising time when power-on reset is canceled	-20°C ≤ Topr < 0°C, tw(por1) ≥ 10s ⁽²⁾	—	—	1	ms
tw(Vpor1-Vdet)	Supply voltage rising time when power-on reset is canceled	0°C ≤ Topr ≤ 85°C, tw(por1) ≥ 1s ⁽²⁾	—	—	0.5	ms

NOTES:

1. When not using hardware reset 2, use with Vcc ≥ 2.7V.
2. tw(por1) is time to hold the external power below effective voltage (Vpor1).



NOTES:

1. Hold the voltage of the microcomputer operation voltage range (Vccmin or above) within sampling time.
2. A sampling clock is selectable. Refer to "5.4 Voltage Detection Circuit" of Hardware manual for details.
3. Vdet shows the voltage detection level of the voltage detection circuit. Refer to "5.4 Voltage Detection Circuit" of Hardware manual for details.

Figure 5.3 Reset Circuit Electrical Characteristics

Table 5.9 High-speed On-Chip Oscillator Circuit Electrical Characteristics

Symbol	Parameter	Measuring condition	Standard			Unit
			Min.	Typ.	Max.	
—	High-speed on-chip oscillator frequency 1 / {td(HRoffset)+td(HR)} when the reset is released	VCC=5.0V, Topr=25 °C Set "4016" in the HR1 register	—	8	—	MHz
td(HRoffset)	Settable high-speed on-chip oscillator minimum period	VCC=5.0V, Topr=25 °C Set "0016" in the HR1 register	—	61	—	ns
td(HR)	High-speed on-chip oscillator period adjusted unit	Differences when setting "0116" and "0016" in the HR register	—	1	—	ns
—	High-speed on-chip oscillator frequency temperature dependence(1)	Frequency fluctuation in temperature range of -10 °C to 50 °C	—	±5	—	%
—	High-speed on-chip oscillator frequency temperature dependence(2)	Frequency fluctuation in temperature range of -40 °C to 85 °C	—	±10	—	%

NOTES:

1. The measuring condition is Vcc=AVcc=5.0 V and Topr=25 °C.

Table 5.10 Power Circuit Timing Characteristics

Symbol	Parameter	Measuring condition	Standard			Unit
			Min.	Typ.	Max.	
td(P-R)	Time for internal power supply stabilization during powering-on(2)		1		2000	μs
td(R-S)	STOP release time(3)				150	μs

NOTES:

1. The measuring condition is Vcc=AVcc=2.7 to 5.5 V and Topr=25 °C.
2. This shows the wait time until the internal power supply generating circuit is stabilized during power-on.
3. This shows the time until BCLK starts from the interrupt acknowledgement to cancel stop mode.

Table 5.11 Electrical Characteristics (1) [Vcc=5V]

Symbol	Parameter		Measuring condition		Standard			Unit
					Min.	Typ.	Max.	
VOH	"H" output voltage	Except XOUT	IOH=5mA		Vcc-2.0	—	Vcc	V
			IOH=200μA		Vcc-0.3	—	Vcc	V
	XOUT	Drive capacity HIGH	IOH=-1 mA	Vcc-2.0	—	Vcc	V	
		Drive capacity LOW	IOH=-500μA	Vcc-2.0	—	Vcc	V	
VOL	"L" output voltage	Except P10 to P17, XOUT	IOL= 5 mA		—	—	2.0	V
			IOL= 200 μA		—	—	0.45	V
		P10 to P17	Drive capacity HIGH	IOL= 15 mA	—	—	2.0	V
			Drive capacity LOW	IOL= 5 mA	—	—	2.0	V
	XOUT	Drive capacity LOW	IOL= 200 μA	—	—	0.45	V	
		Drive capacity HIGH	IOL= 1 mA	—	—	2.0	V	
	VT+-VT-	Hysteresis	INT0, INT1, INT2, INT3, K10, K11, K12, K13, CNTR0, CNTR1, TCIN, RxD0, RxD1, P45		0.2	—	1.0	V
			RESET		0.2	—	2.2	V
IiH	"H" input current		Vi=5V	—	—	5.0	μA	
IiL	"L" input current		Vi=0V	—	—	-5.0	μA	
RPULLUP	Pull-up resistance		Vi=0V	30	50	167	kΩ	
RXIN	Feedback resistance	XIN		—	1.0	—	MΩ	
fRING-S	Low-speed on-chip oscillator frequency			40	125	250	kHz	
V _{RAM}	RAM retention voltage		At stop mode	2.0	—	—	V	

NOTES:

1. Referenced to Vcc = AVcc = 4.2 to 5.5V at Topr = -20 to 85 °C / -40 to 85 °C, f(XIN)=20MHz unless otherwise specified.

Table 5.12 Electrical Characteristics (2) [V_{CC}=5V]

Symbol	Parameter	Measuring condition	Standard			Unit
			Min.	Typ.	Max.	
I _{CC}	Power supply current (V _{CC} =3.3 to 5.5V) In single-chip mode, the output pins are open and other pins are V _{SS}	High-speed mode X _{IN} =20 MHz (square wave) High-speed on-chip oscillator off Low-speed on-chip oscillator on=125 kHz No division	—	9	15	mA
		X _{IN} =16 MHz (square wave) High-speed on-chip oscillator off Low-speed on-chip oscillator on=125 kHz No division	—	8	14	mA
		X _{IN} =10 MHz (square wave) High-speed on-chip oscillator off Low-speed on-chip oscillator on=125 kHz No division	—	5	—	mA
		Medium-speed mode X _{IN} =20 MHz (square wave) High-speed on-chip oscillator off Low-speed on-chip oscillator on=125 kHz Division by 8	—	4	—	mA
		X _{IN} =16 MHz (square wave) High-speed on-chip oscillator off Low-speed on-chip oscillator on=125 kHz Division by 8	—	3	—	mA
		X _{IN} =10 MHz (square wave) High-speed on-chip oscillator off Low-speed on-chip oscillator on=125 kHz Division by 8	—	2	—	mA
		High-speed on-chip oscillator mode Main clock off High-speed on-chip oscillator on=8 MHz Low-speed on-chip oscillator on=125 kHz No division	—	4	8	mA
		Main clock off High-speed on-chip oscillator on=8 MHz Low-speed on-chip oscillator on=125 kHz Division by 8	—	1.5	—	mA
		Low-speed on-chip oscillator mode Main clock off High-speed on-chip oscillator off Low-speed on-chip oscillator on=125 kHz Division by 8	—	470	900	μA
		Wait mode Main clock off High-speed on-chip oscillator off Low-speed on-chip oscillator on=125 kHz When a WAIT instruction is executed ⁽¹⁾ Peripheral clock operation VC27="0"	—	40	80	μA
		Wait mode Main clock off High-speed on-chip oscillator off Low-speed on-chip oscillator on=125 kHz When a WAIT instruction is executed ⁽¹⁾ Peripheral clock off VC27="0"	—	38	76	μA
		Stop mode Main clock off, T _{opr} =-25 °C High-speed on-chip oscillator off Low-speed on-chip oscillator off CM10="1" Peripheral clock off VC27="0"	—	0.8	3.0	μA

NOTES:

1. Timer Y is operated with timer mode.
2. Referenced to V_{CC} = AV_{CC} = 4.2 to 5.5V at T_{opr} = -20 to 85 °C / -40 to 85 °C, f(X_{IN})=20MHz unless otherwise specified.

Timing requirements [V_{CC}=5V] (Unless otherwise noted: V_{CC} = 5V, V_{SS} = 0V at T_{opr} = 25 °C)**Table 5.13 X_{IN} input**

Symbol	Parameter	Standard		Unit
		Min.	Max.	
t _C (X _{IN})	X _{IN} input cycle time	50	–	ns
t _{WH} (X _{IN})	X _{IN} input HIGH pulse width	25	–	ns
t _{WL} (X _{IN})	X _{IN} input LOW pulse width	25	–	ns

Table 5.14 CNTR0 input, CNTR1 input, $\overline{\text{INT2}}$ input

Symbol	Parameter	Standard		Unit
		Min.	Max.	
t _C (CNTR0)	CNTR0 input cycle time	100	–	ns
t _{WH} (CNTR0)	CNTR0 input HIGH pulse width	40	–	ns
t _{WL} (CNTR0)	CNTR0 input LOW pulse width	40	–	ns

Table 5.15 TCIN input, $\overline{\text{INT3}}$ input

Symbol	Parameter	Standard		Unit
		Min.	Max.	
t _C (TCIN)	TCIN input cycle time	400 ⁽¹⁾	–	ns
t _{WH} (TCIN)	TCIN input HIGH pulse width	200 ⁽²⁾	–	ns
t _{WL} (TCIN)	TCIN input LOW pulse width	200 ⁽²⁾	–	ns

NOTES:

1. When using the Timer C input capture mode, adjust the cycle time above (1/ Timer C count source frequency x 3).
2. When using the Timer C input capture mode, adjust the pulse width above (1/ Timer C count source frequency x 1.5).

Table 5.5 Serial Interface

Symbol	Parameter	Standard		Unit
		Min.	Max.	
t _C (CK)	CLK _i input cycle time	200	–	ns
t _W (CKH)	CLK _i input HIGH pulse width	100	–	ns
t _W (CKL)	CLK _i input LOW pulse width	100	–	ns
t _d (C-Q)	TxD _i output delay time	–	80	ns
t _h (C-Q)	TxD _i hold time	0	–	ns
t _{su} (D-C)	RxD _i input setup time	35	–	ns
t _h (C-D)	RxD _i input hold time	90	–	ns

Table 5.17 External interrupt $\overline{\text{INT0}}$ input

Symbol	Parameter	Standard		Unit
		Min.	Max.	
t _W (INH)	$\overline{\text{INT0}}$ input HIGH pulse width	250 ⁽¹⁾	–	ns
t _W (INL)	$\overline{\text{INT0}}$ input LOW pulse width	250 ⁽²⁾	–	ns

NOTES:

1. When selecting the digital filter by the $\overline{\text{INT0}}$ input filter select bit, use the $\overline{\text{INT0}}$ input HIGH pulse width to the greater value, either (1/ digital filter clock frequency x 3) or the minimum value of standard.
2. When selecting the digital filter by the $\overline{\text{INT0}}$ input filter select bit, use the $\overline{\text{INT0}}$ input LOW pulse width to the greater value, either (1/ digital filter clock frequency x 3) or the minimum value of standard.

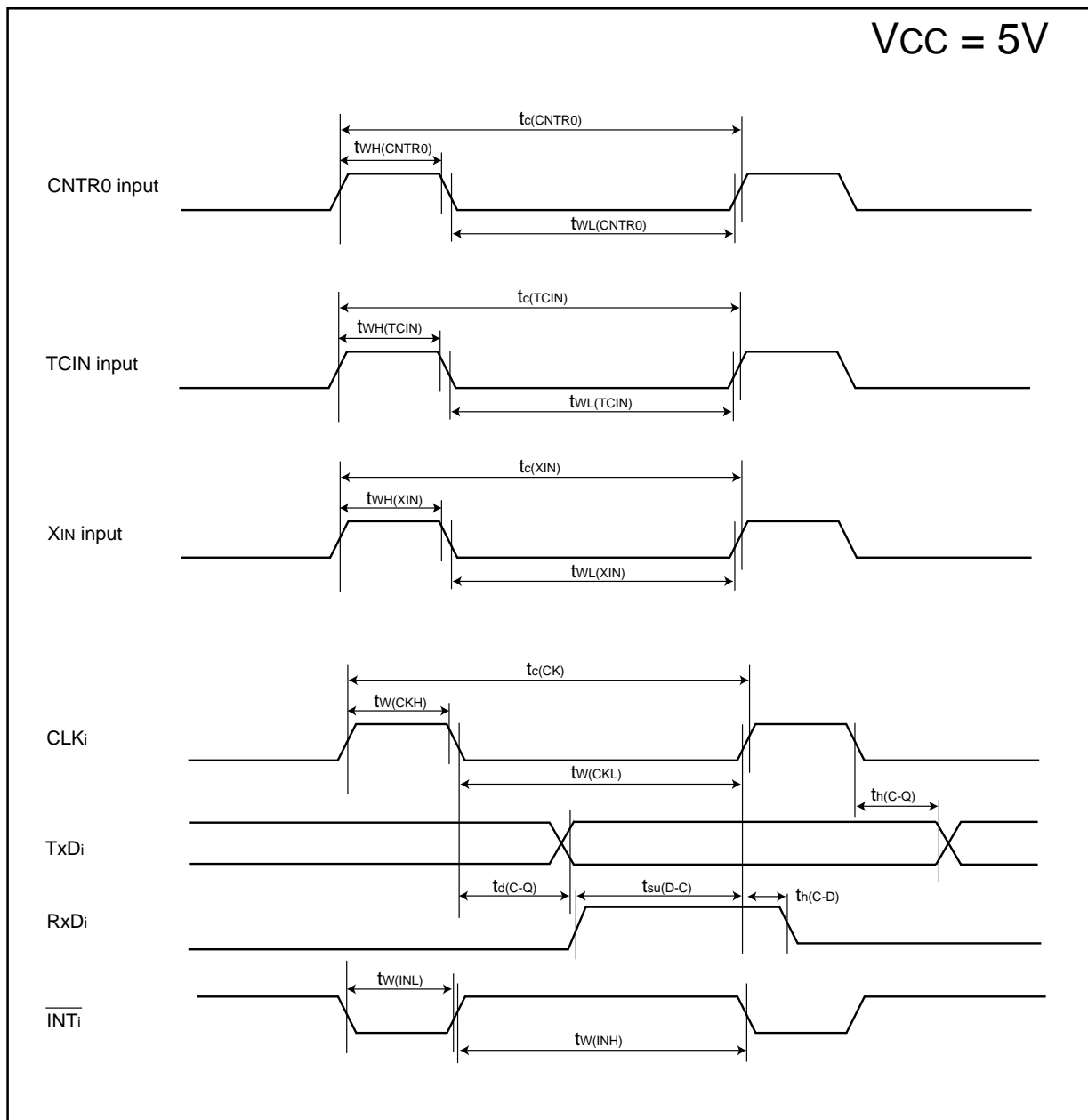


Figure 5.4 Vcc=5V timing diagram

Table 5.18 Electrical Characteristics (3) [Vcc=3V]

Symbol	Parameter		Measuring condition		Standard			Unit
					Min.	Typ.	Max.	
VOH	"H" output voltage	Except Xout	I _{OH} =-1mA		V _{CC} -0.5	—	V _{CC}	V
		Xout	Drive capacity HIGH	I _{OH} =-0.1 mA	V _{CC} -0.5	—	V _{CC}	v
			Drive capacity LOW	I _{OH} =-50 μA	V _{CC} -0.5	—	V _{CC}	v
VOL	"L" output voltage	Except P10 to P17, Xout	I _{OL} = 1 mA		—	—	0.5	V
		P10 to P17	Drive capacity HIGH	I _{OL} = 2 mA	—	—	0.5	V
			Drive capacity LOW	I _{OL} = 1 mA	—	—	0.5	V
		Xout	Drive capacity HIGH	I _{OL} = 0.1 mA	—	—	0.5	V
			Drive capacity LOW	I _{OL} =50 μA	—	—	0.5	V
VT+·VT-	Hysteresis	INT0, INT1, INT2, INT3, KI0, KI1, KI2, KI3, CNTR0, CNTR1, TCIN, RxD0, RxD1, P45			0.2	—	0.8	V
		RESET			0.2	—	1.8	V
I _{IH}	"H" input current			V _I =3V	—	—	4.0	μA
I _{IL}	"L" input current			V _I =0V	—	—	-4.0	μA
R _{PULLUP}	Pull-up resistance			V _I =0V	66	160	500	kΩ
R _{FXIN}	Feedback resistance	XIN			—	3.0	—	MΩ
f _{RING-S}	Low-speed on-chip oscillator frequency				40	125	250	kHz
V _{RAM}	RAM retention voltage			At stop mode	2.0	—	—	V

NOTES:

1. Referenced to V_{CC} = AV_{CC} = 2.7 to 3.3V at Topr = -20 to 85 °C / -40 to 85 °C, f(XIN)=10MHz unless otherwise specified.

Table 5.19 Electrical Characteristics (4) [Vcc=3V]

Symbol	Parameter	Measuring condition	Standard			Unit
			Min.	Typ.	Max.	
I _{CC}	Power supply current (V _{CC} =2.7 to 3.3V) In single-chip mode, the output pins are open and other pins are V _{SS}	High-speed mode X _{IN} =20 MHz (square wave) High-speed on-chip oscillator off Low-speed on-chip oscillator on=125 kHz No division	—	8	13	mA
		X _{IN} =16 MHz (square wave) High-speed on-chip oscillator off Low-speed on-chip oscillator on=125 kHz No division	—	7	12	mA
		X _{IN} =10 MHz (square wave) High-speed on-chip oscillator off Low-speed on-chip oscillator on=125 kHz No division	—	5	—	mA
		Medium-speed mode X _{IN} =20 MHz (square wave) High-speed on-chip oscillator off Low-speed on-chip oscillator on=125 kHz Division by 8	—	3	—	mA
		X _{IN} =16 MHz (square wave) High-speed on-chip oscillator off Low-speed on-chip oscillator on=125 kHz Division by 8	—	2.5	—	mA
		X _{IN} =10 MHz (square wave) High-speed on-chip oscillator off Low-speed on-chip oscillator on=125 kHz Division by 8	—	1.6	—	mA
		High-speed on-chip oscillator mode Main clock off High-speed on-chip oscillator on=8 MHz Low-speed on-chip oscillator on=125 kHz No division	—	3.5	7.5	mA
		Main clock off High-speed on-chip oscillator on=8 MHz Low-speed on-chip oscillator on=125 kHz Division by 8	—	1.5	—	mA
		Low-speed on-chip oscillator mode Main clock off High-speed on-chip oscillator off Low-speed on-chip oscillator on=125 kHz Division by 8	—	420	800	μA
		Wait mode Main clock off High-speed on-chip oscillator off Low-speed on-chip oscillator on=125 kHz When a WAIT instruction is executed ⁽¹⁾ Peripheral clock operation VC27="0"	—	37	74	μA
Wait mode Main clock off High-speed on-chip oscillator off Low-speed on-chip oscillator on=125 kHz When a WAIT instruction is executed ⁽¹⁾ Peripheral clock off VC27="0"	—	35	70	μA		
Stop mode Main clock off, T _{opr} =-25 °C High-speed on-chip oscillator off Low-speed on-chip oscillator off CM10="1" Peripheral clock off VC27="0"	—	0.7	3.0	μA		

NOTES:

1. Timer Y is operated with timer mode.
2. Referenced to V_{CC} = AV_{CC} = 2.7 to 3.3V at T_{opr} = -20 to 85 °C / -40 to 85 °C, f(X_{IN})=10MHz unless otherwise specified.

Timing requirements [V_{CC}=3V] (Unless otherwise noted: V_{CC} = 3V, V_{SS} = 0V at Topr = 25 °C)**Table 5.20 XIN input**

Symbol	Parameter	Standard		Unit
		Min.	Max.	
t _C (XIN)	XIN input cycle time	100	–	ns
t _{WH} (XIN)	XIN input HIGH pulse width	40	–	ns
t _{WL} (XIN)	XIN input LOW pulse width	40	–	ns

Table 5.21 CNTR0 input, CNTR1 input, $\overline{\text{INT2}}$ input

Symbol	Parameter	Standard		Unit
		Min.	Max.	
t _C (CNTR0)	CNTR0 input cycle time	300	–	ns
t _{WH} (CNTR0)	CNTR0 input HIGH pulse width	120	–	ns
t _{WL} (CNTR0)	CNTR0 input LOW pulse width	120	–	ns

Table 5.22 TCIN input, $\overline{\text{INT3}}$ input

Symbol	Parameter	Standard		Unit
		Min.	Max.	
t _C (TCIN)	TCIN input cycle time	1200 ⁽¹⁾	–	ns
t _{WH} (TCIN)	TCIN input HIGH pulse width	600 ⁽²⁾	–	ns
t _{WL} (TCIN)	TCIN input LOW pulse width	600 ⁽²⁾	–	ns

NOTES:

1. When using the Timer C input capture mode, adjust the cycle time above (1/ Timer C count source frequency x 3).
2. When using the Timer C input capture mode, adjust the pulse width above (1/ Timer C count source frequency x 1.5).

Table 5.23 Serial Interface

Symbol	Parameter	Standard		Unit
		Min.	Max.	
t _C (CK)	CLKi input cycle time	300	–	ns
t _W (CKH)	CLKi input HIGH pulse width	150	–	ns
t _W (CKL)	CLKi input LOW pulse width	150	–	ns
t _d (C-Q)	TxDi output delay time	–	160	ns
t _h (C-Q)	TxDi hold time	0	–	ns
t _{su} (D-C)	RxDi input setup time	55	–	ns
t _h (C-D)	RxDi input hold time	90	–	ns

Table 5.24 External interrupt $\overline{\text{INT0}}$ input

Symbol	Parameter	Standard		Unit
		Min.	Max.	
t _W (INH)	$\overline{\text{INT0}}$ input HIGH pulse width	380 ⁽¹⁾	–	ns
t _W (INL)	$\overline{\text{INT0}}$ input LOW pulse width	380 ⁽²⁾	–	ns

NOTES:

1. When selecting the digital filter by the $\overline{\text{INT0}}$ input filter select bit, use the $\overline{\text{INT0}}$ input HIGH pulse width to the greater value, either (1/ digital filter clock frequency x 3) or the minimum value of standard.
2. When selecting the digital filter by the $\overline{\text{INT0}}$ input filter select bit, use the $\overline{\text{INT0}}$ input LOW pulse width to the greater value, either (1/ digital filter clock frequency x 3) or the minimum value of standard.

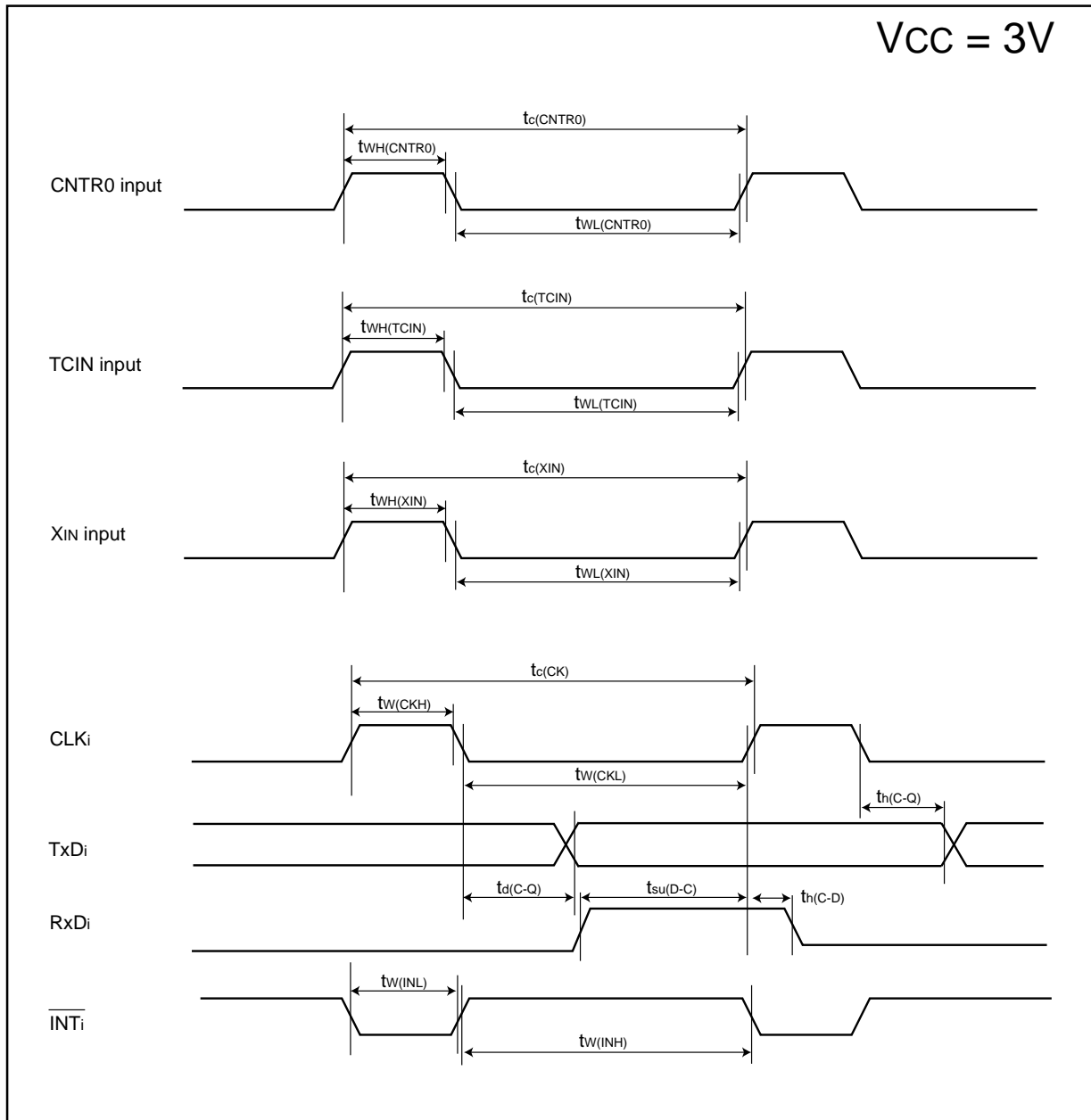
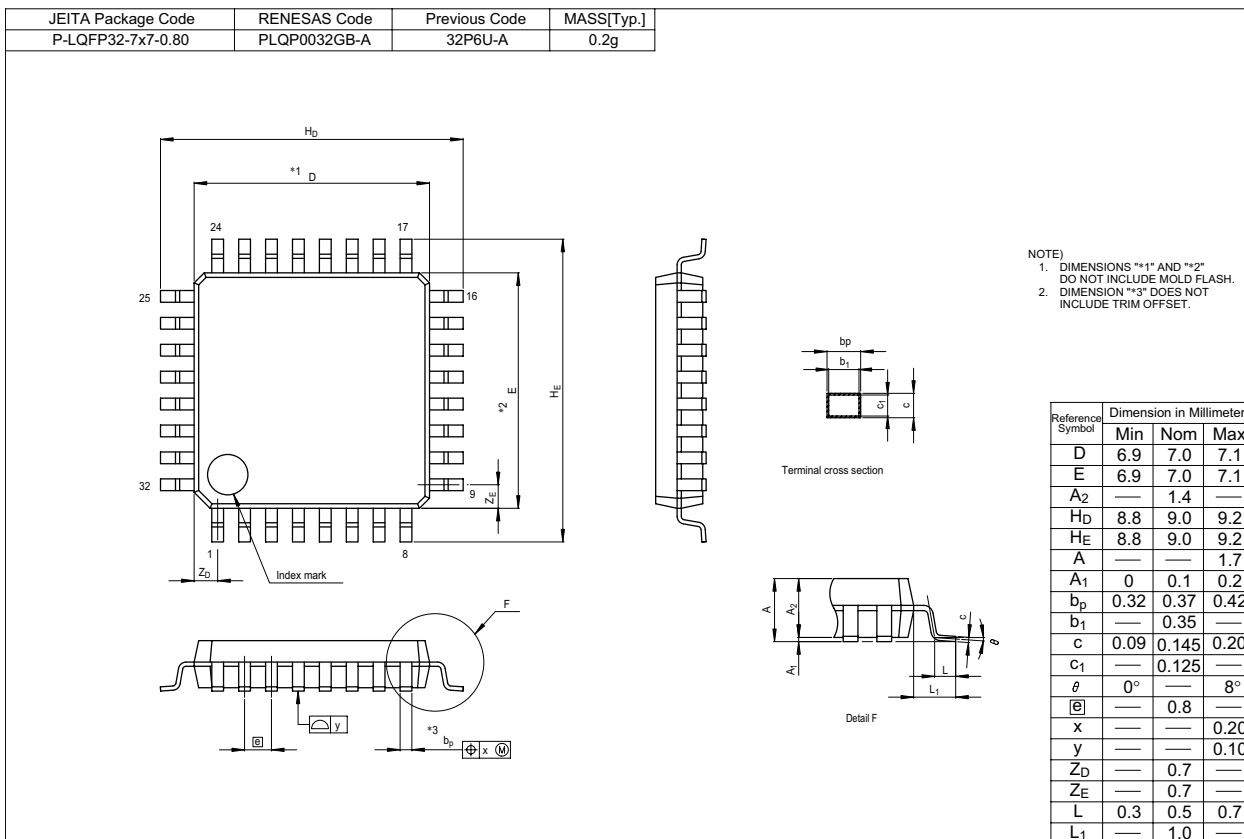


Figure 5.5 $V_{CC}=3V$ timing diagram

Package Dimensions



REVISION HISTORY

R8C/13 Group Datasheet

Rev.	Date	Description	
		Page	Summary
0.10	Oct 28, 2003		First edition issued
0.20	Dec05, 2003	5	Figure 1.3 revised
		10	Chapter 4, NOTES revised
		16	Table 5.4 revised Table 5.5 revised
		17	Table 5.6 revised Figure 5.3 added
		18	Table 5.8 revised Table 5.10 revised
		21	Figure 5.3 revised to Figure 5.4
		22	Table 5.17 revised
		25	Figure 5.4 revised to Figure 5.5
1.00	Sep 30, 2004	All pages	Words standardized (on-chip oscillator, serial interface, A/D)
		2	Table 1.1 revised
		5	Figure 1.3, NOTES 3 added
		6	Table 1.3 revised
		9	Figure 3.1, NOTES added
		10-13	One body sentence in chapter 4 added ; Titles of Table 4.1 to 4.4 added
		12	Table 4.3 revised ; Table 4.4 revised
		14	Table 5.2 revised
		15	Table 5.3 revised
		16	Table 5.4 and Table 5.5 revised
		17	Table 5.6, 5.7 and 5.8 revised ; Figure 5.3 revised
		18	Table 5.9 and 5.11 revised
		19	Table 5.12 revised
		20	Table 5.13 revised
22	Table 5.18 revised		
23	Table 5.19 revised		
		24	Table 5.20 and Table 5.24 revised
1.10	Apr.27.2005	4	Table 1.2, Figure 1.2 package name revised
		5	Figure 1.3 package name revised
		10	Table 4.1 revised
		12	Table 4.3 revised
		15	Table 5.3 partly revised
		16	Table 5.4, Table 5.5 partly added

REVISION HISTORY

R8C/13 Group Datasheet

Rev.	Date	Description	
		Page	Summary
1.10	Apr.27.2005	17	Table 5.7, 5.8 revised
		18	Table 5.10, Table 5.11 partly revised
		22	Table 5.18 partly revised
		26	Package Dimensions revised
1.20	Jan.27.2006	2	Table 1.1 Performance outline revised
		3	Figure 1.1 Block diagram partly revised
		4	1.4 Product Information, title of Table 1.2 "Product List" → "Product Informaton" revised ROM capacity; "Program area" → "Program ROM", "Data area" → "Data flash" revised
		6	Figure 1.2 Type No., Memory Size, and Package partly revised
		7-8	Table 1.3 Pin description revised 2 Central Processing Unit (CPU) revised Figure 2.1 CPU register revised
		9	3 Memory, Figure 3.1 Memory Map; "Program area" → "Program ROM", "Data area" → "Data flash" revised
		10	Table 4.1 SFR Information(1) NOTES:1 revised
		11	Table 4.2 SFR Information(2) NOTES:1 revised
		12	Table 4.3 SFR Information(3); 0081 ₁₆ : "Prescaler Y" → "Prescaler Y Register" 0082 ₁₆ : "Timer Y Secondary" → "Timer Y Secondary Register" 0083 ₁₆ : "Timer Y Primary" → "Timer Y Primary Register" 0085 ₁₆ : "Prescaler Z" → "Prescaler Z Register" 0086 ₁₆ : "Timer Z Secondary" → "Timer Z Secondary Register" 0087 ₁₆ : "Timer Z Primary" → "Timer Z Primary Register" 008C ₁₆ : "Prescaler X" → "Prescaler X Register" revised NOTES:1, 2 revised
		13	Table 4.4 SFR Information(4) NOTES:1 revised
		14	Table 5.2 Recommended Operating Conditions; NOTES: 1, 2, 3 revised
		15	Table 5.3 A/D Conversion Characteristics; "A/D operation clock frequency" → "A/D operating clock frequency" revised NOTES: 1, 2, 3, 4 revised
		16	Table 5.4 Flash Memory (Program ROM) Electrical Characteristics; "Data retention duration" → "Data hold time" revised "Topr" → "Ambient temperature" NOTES: 1 to 7 added Measuring condition of byte program time and block erase time deleted
		17	Table 5.5 Flash Memory (Data flash Block A, Block B) Electrical characteristics "Data retention duration" → "Data hold time" revised "Topr" → "Ambient temperature" NOTES: 1, 3 revised, NOTES: 9 added Measuring condition of byte program time and block erase time deleted
		18	Table 5.7 Reset Circuit Electrical Characteristics (When Using Hardware Reset 2) NOTES: 3 revised
		19	Table 5.9 High-speed On-Chip Oscillator Circuit Electrical Characteristics; "High-speed on-chip oscillator temperature dependence" → "High-speed on-chip oscillator frequency temperature dependence" revised Table 5.11 Electrical Characteristics (1) [V _{CC} =5V]; "P1 ₀ to P1 ₇ Except X _{OUT} " → "Except P1 ₀ to P1 ₇ , X _{OUT} " revised

REVISION HISTORY

R8C/13 Group Datasheet

Rev.	Date	Description	
		Page	Summary
1.20	Jan.27.2006	20	Table 5.12 Electrical Characteristics (2) [V _{CC} =5V]; NOTES: 1, 2 revised Measuring condition Stop mode: "Topr=-25 °C" added
		23	Table 5.18 Electrical Characteristics (3) [V _{CC} =3V] "P1 ₀ to P1 ₇ Except X _{OUT} " → "Except P1 ₀ to P1 ₇ , X _{OUT} " revised
		24	Table 5.19 Electrical Characteristics (4) [V _{CC} =3V] NOTES: 1, 2 revised Measuring condition Stop mode: "Topr=-25 °C" added

Keep safety first in your circuit designs!

1. Renesas Technology Corp. puts the maximum effort into making semiconductor products better and more reliable, but there is always the possibility that trouble may occur with them. Trouble with semiconductors may lead to personal injury, fire or property damage. Remember to give due consideration to safety when making your circuit designs, with appropriate measures such as (i) placement of substitutive, auxiliary circuits, (ii) use of nonflammable material or (iii) prevention against any malfunction or mishap.

Notes regarding these materials

1. These materials are intended as a reference to assist our customers in the selection of the Renesas Technology Corp. product best suited to the customer's application; they do not convey any license under any intellectual property rights, or any other rights, belonging to Renesas Technology Corp. or a third party.
 2. Renesas Technology Corp. assumes no responsibility for any damage, or infringement of any third-party's rights, originating in the use of any product data, diagrams, charts, programs, algorithms, or circuit application examples contained in these materials.
 3. All information contained in these materials, including product data, diagrams, charts, programs and algorithms represents information on products at the time of publication of these materials, and are subject to change by Renesas Technology Corp. without notice due to product improvements or other reasons. It is therefore recommended that customers contact Renesas Technology Corp. or an authorized Renesas Technology Corp. product distributor for the latest product information before purchasing a product listed herein.
The information described here may contain technical inaccuracies or typographical errors.
Renesas Technology Corp. assumes no responsibility for any damage, liability, or other loss rising from these inaccuracies or errors.
Please also pay attention to information published by Renesas Technology Corp. by various means, including the Renesas Technology Corp. Semiconductor home page (<http://www.renesas.com>).
 4. When using any or all of the information contained in these materials, including product data, diagrams, charts, programs, and algorithms, please be sure to evaluate all information as a total system before making a final decision on the applicability of the information and products. Renesas Technology Corp. assumes no responsibility for any damage, liability or other loss resulting from the information contained herein.
 5. Renesas Technology Corp. semiconductors are not designed or manufactured for use in a device or system that is used under circumstances in which human life is potentially at stake. Please contact Renesas Technology Corp. or an authorized Renesas Technology Corp. product distributor when considering the use of a product contained herein for any specific purposes, such as apparatus or systems for transportation, vehicular, medical, aerospace, nuclear, or undersea repeater use.
 6. The prior written approval of Renesas Technology Corp. is necessary to reprint or reproduce in whole or in part these materials.
 7. If these products or technologies are subject to the Japanese export control restrictions, they must be exported under a license from the Japanese government and cannot be imported into a country other than the approved destination.
Any diversion or reexport contrary to the export control laws and regulations of Japan and/or the country of destination is prohibited.
 8. Please contact Renesas Technology Corp. for further details on these materials or the products contained therein.
-



RENESAS SALES OFFICES

<http://www.renesas.com>

Refer to "<http://www.renesas.com/en/network>" for the latest and detailed information.

Renesas Technology America, Inc.

450 Holger Way, San Jose, CA 95134-1368, U.S.A
Tel: <1> (408) 382-7500, Fax: <1> (408) 382-7501

Renesas Technology Europe Limited

Dukes Meadow, Millboard Road, Bourne End, Buckinghamshire, SL8 5FH, U.K.
Tel: <44> (1628) 585-100, Fax: <44> (1628) 585-900

Renesas Technology (Shanghai) Co., Ltd.

Unit 205, AZIA Center, No.133 Yincheng Rd (n), Pudong District, Shanghai 200120, China
Tel: <86> (21) 5877-1818, Fax: <86> (21) 6887-7898

Renesas Technology Hong Kong Ltd.

7th Floor, North Tower, World Finance Centre, Harbour City, 1 Canton Road, Tsimshatsui, Kowloon, Hong Kong
Tel: <852> 2265-6688, Fax: <852> 2730-6071

Renesas Technology Taiwan Co., Ltd.

10th Floor, No.99, Fushing North Road, Taipei, Taiwan
Tel: <886> (2) 2715-2888, Fax: <886> (2) 2713-2999

Renesas Technology Singapore Pte. Ltd.

1 Harbour Front Avenue, #06-10, Keppel Bay Tower, Singapore 098632
Tel: <65> 6213-0200, Fax: <65> 6278-8001

Renesas Technology Korea Co., Ltd.

Kukje Center Bldg. 18th Fl., 191, 2-ka, Hangang-ro, Yongsan-ku, Seoul 140-702, Korea
Tel: <82> (2) 796-3115, Fax: <82> (2) 796-2145

Renesas Technology Malaysia Sdn. Bhd

Unit 906, Block B, Menara Amcorp, Amcorp Trade Centre, No.18, Jalan Persiaran Barat, 46050 Petaling Jaya, Selangor Darul Ehsan, Malaysia
Tel: <603> 7955-9390, Fax: <603> 7955-9510